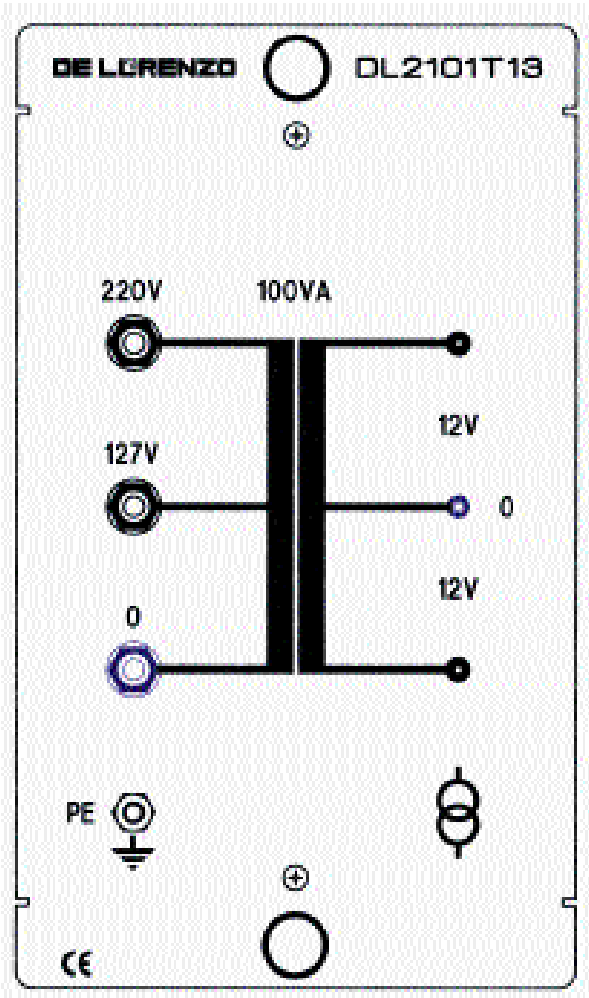
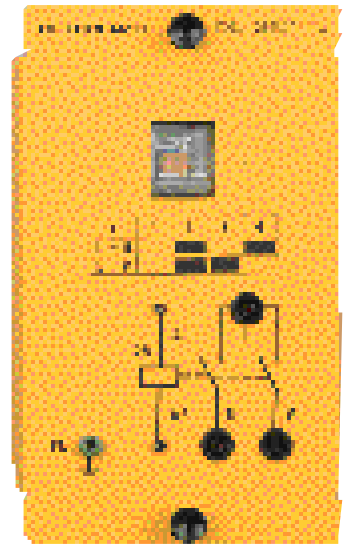


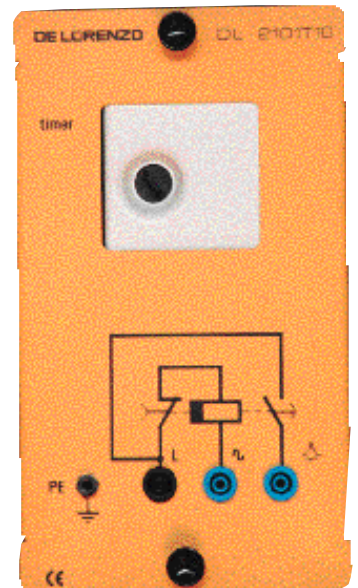
DL 2101T13  
 TRANSFORMER  
 Primary 127-220 V, secondary 2x12 V.  
 Rated power: 100 VA.



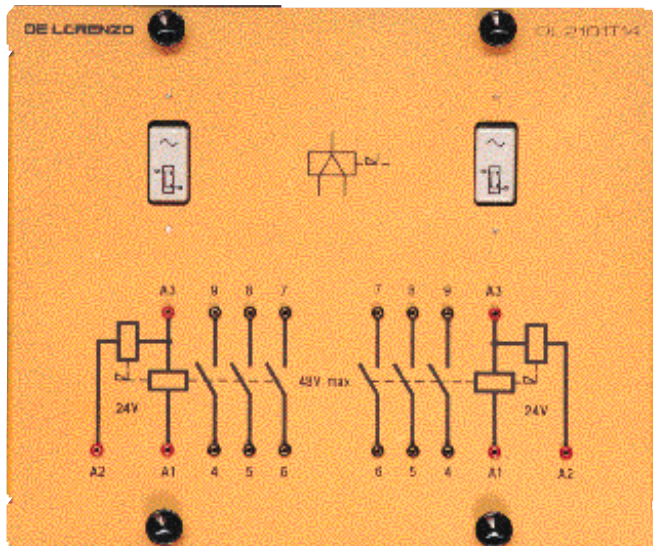
DL 2101T15  
 STEPPING RELAY  
 Two-SPSTswitch with 4 sequences .  
 Switch load 220 Vac, 10 A.  
 Operating voltage: 12 Vac.



DL 2101T16  
 TIMING RELAY  
 Automatic staircase lighting control switch with adjustable or continuous timing.  
 Switch load 220 Vac, 10 A.  
 Excitation voltage: 220 Vac.



DL 2101T14  
 LATCHING RELAY  
 Two relays with bistable operating contacts.  
 Set and reset coils 24 Vac.  
 Three contacts 48 Vac, 2 A.



DL 2101T17  
 FLUORESCENT LAMP  
 White flourescent lamp 6 W, 220V .  
 Supplied with holders, starter and choke.

